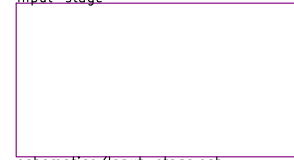
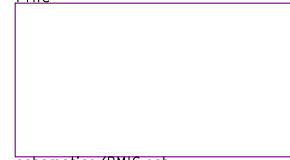


Input-stage



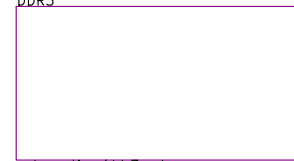
schematics/Input-stage.sch

PMIC



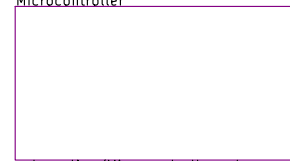
schematics/PMIC.sch

DDR3



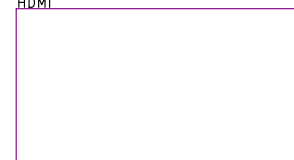
schematics/ddr3.sch

Microcontroller



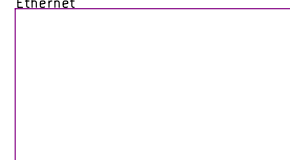
schematics/Microcontroller.sch

HDMI



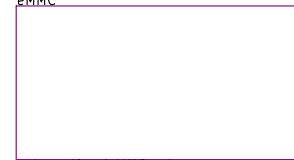
schematics/HDMI.sch

Ethernet



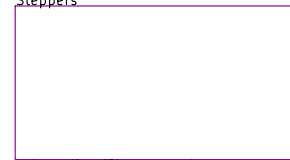
schematics/Ethernet.sch

eMMC



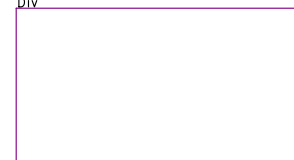
schematics/eMMC.sch

Steppers



schematics/Steppers.sch

Div



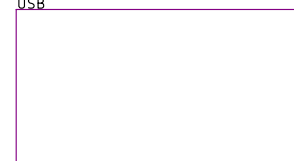
schematics/Div.sch

Mosfets



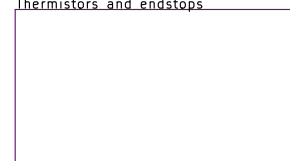
schematics/Mosfets.sch

USB



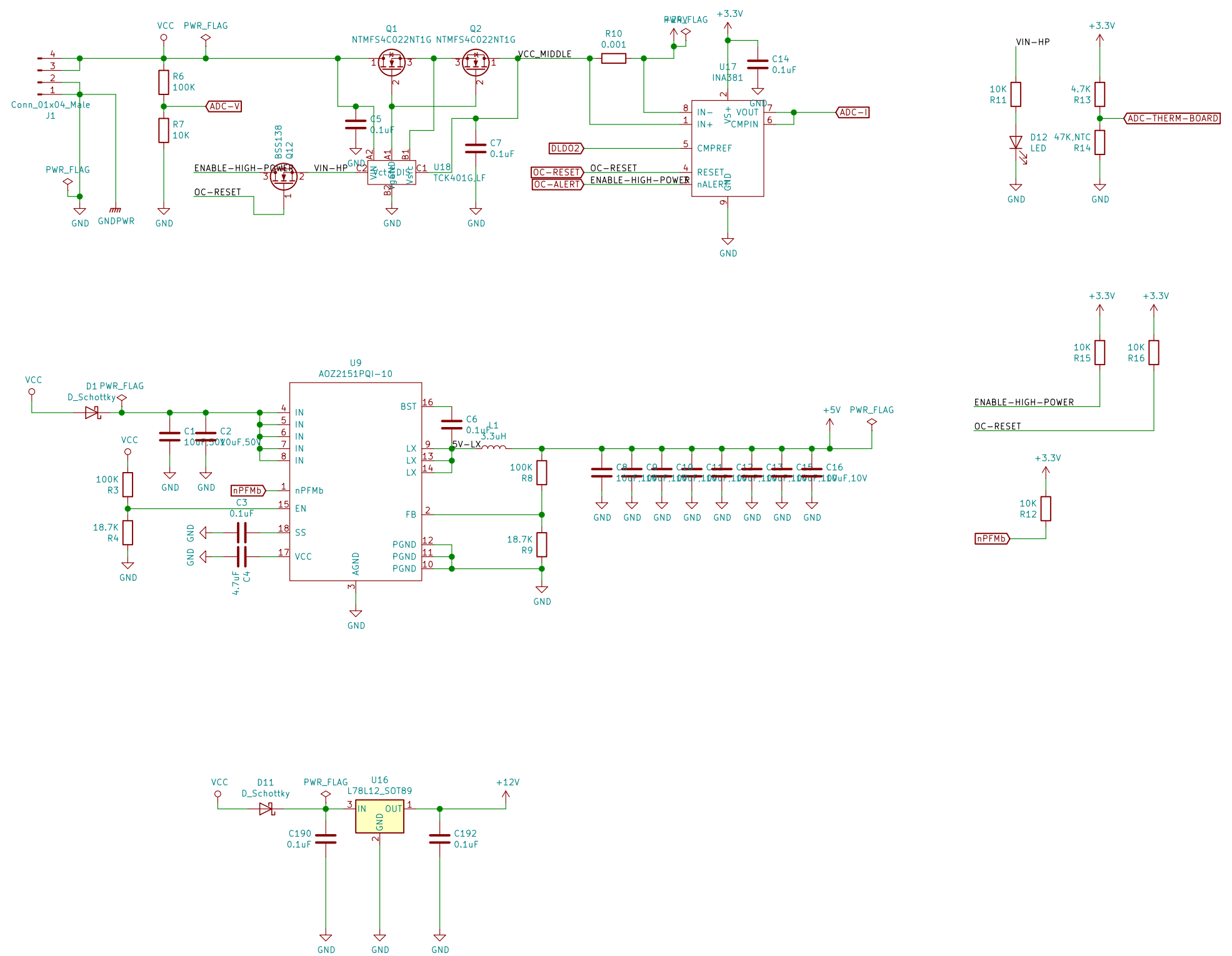
schematics/USB.sch

Thermistors and endstops

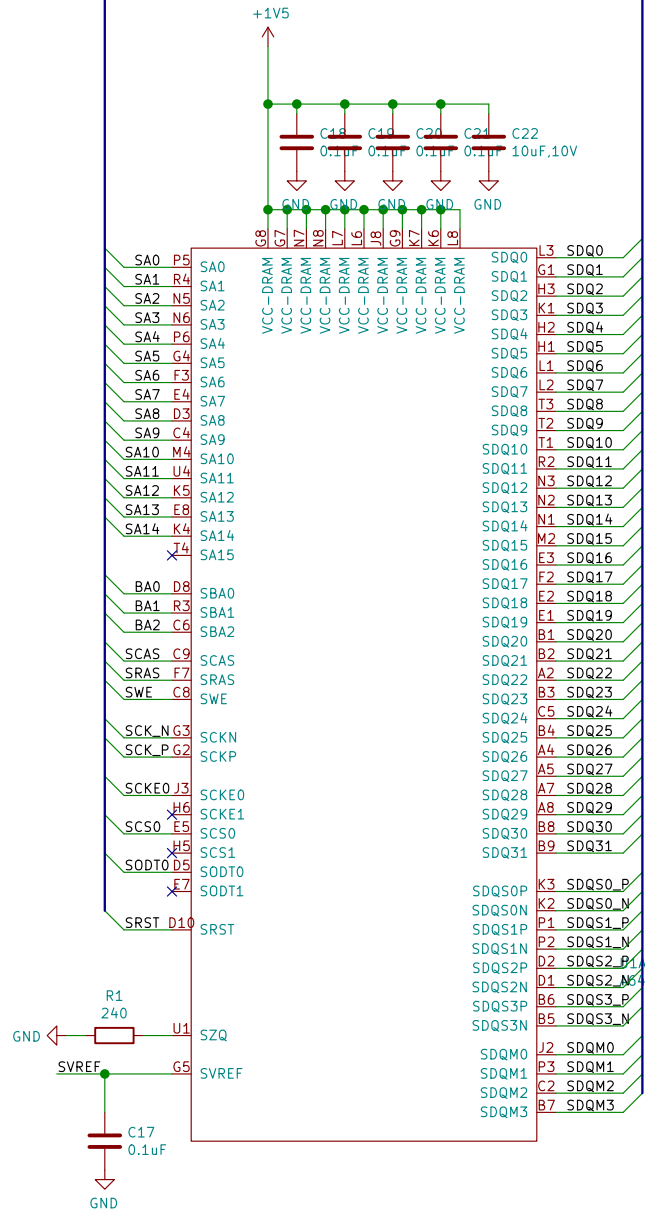


schematics/Analogue.sch

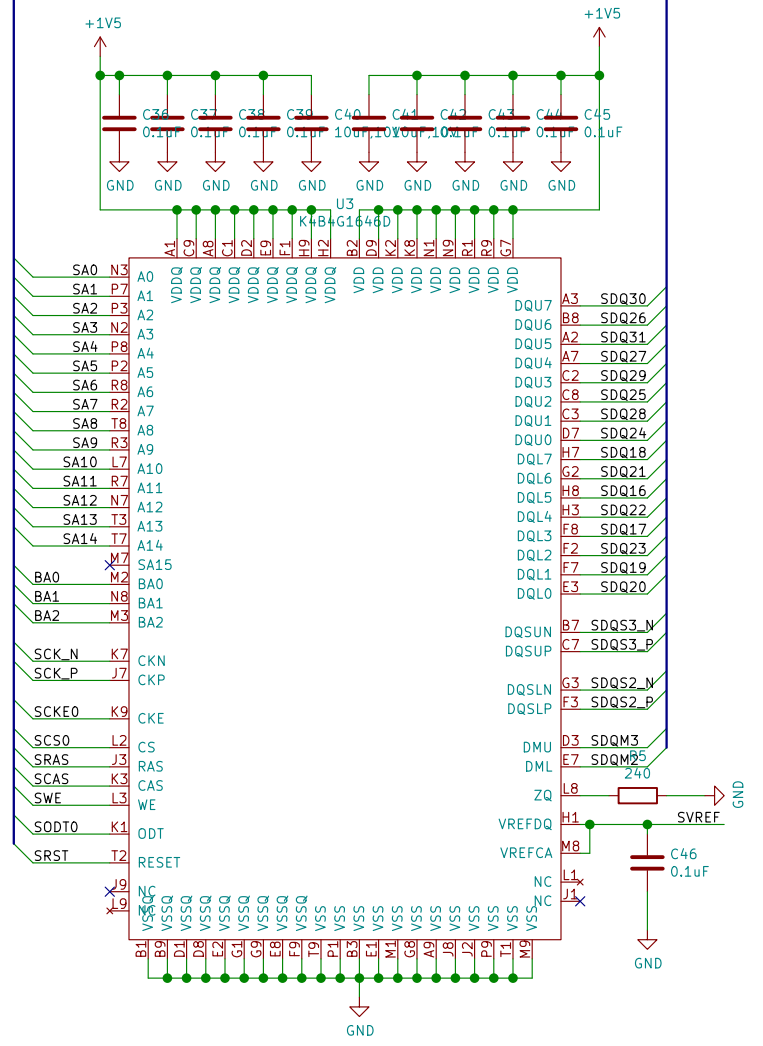
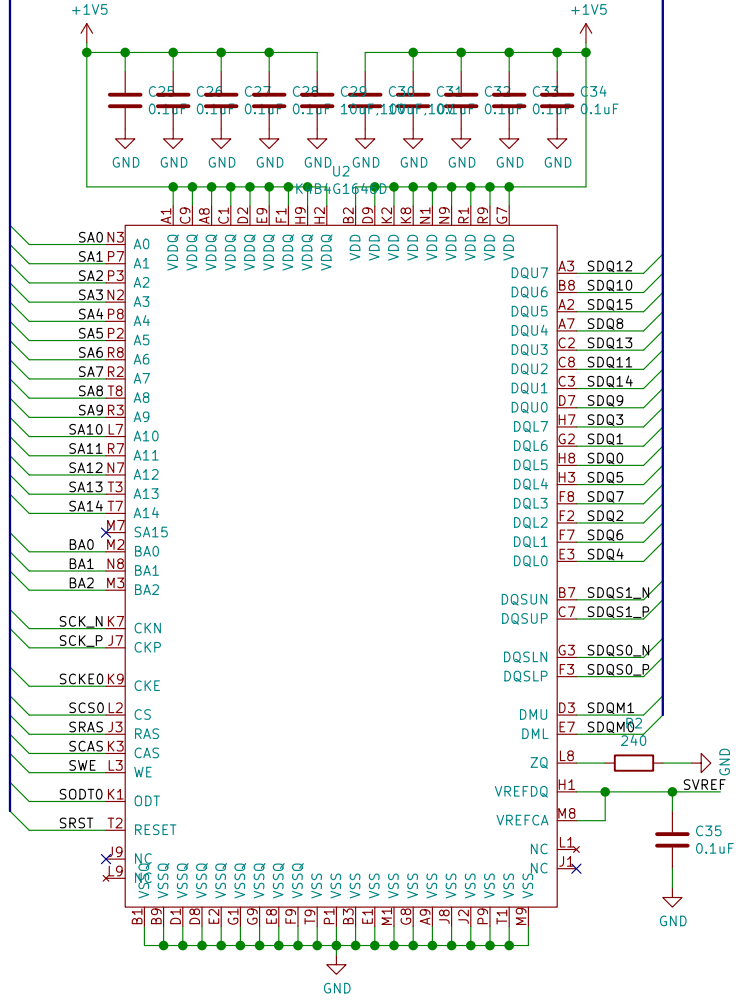
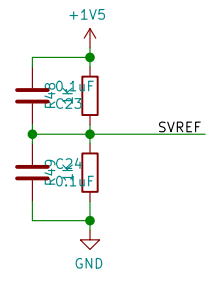
| | | |
|----------------------------------|-------|----------|
| Sheet: / | | |
| File: Recore.sch | | |
| Title: | | |
| Size: A3 | Date: | Rev: |
| KiCad E.D.A. kicad 5.1.2+dfsg1-1 | | Id: 1/13 |

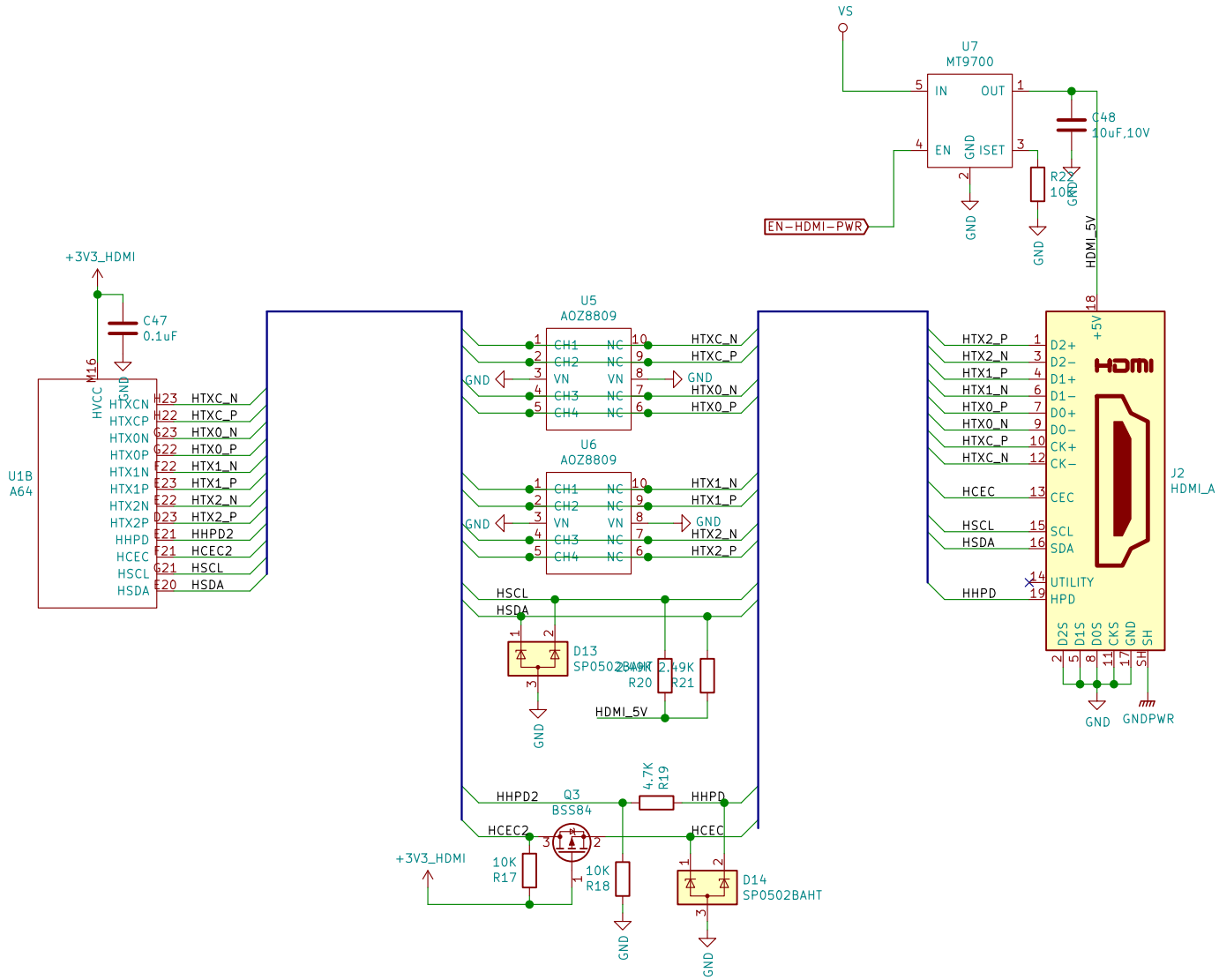


| | | |
|----------------------------------|-------|----------|
| Sheet: /Input-stage/ | | |
| File: Input-stage.sch | | |
| Title: | | |
| Size: A3 | Date: | Rev: |
| KiCad E.D.A. kicad 5.1.2+dfsg1-1 | | Id: 2/13 |



Not using termination resistor



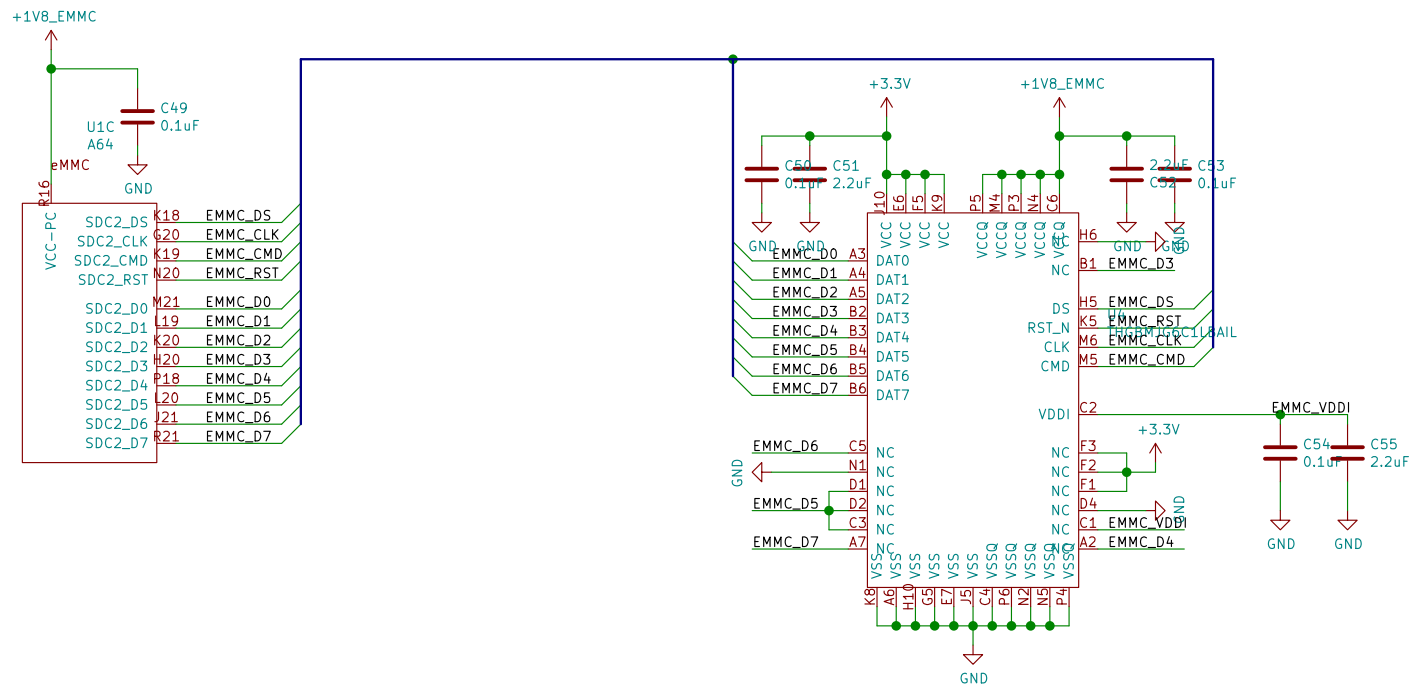


Sheet: /HDMI/
File: HDMI.sch

Title:

Size: A4 Date:
KiCad E.D.A. kicad 5.1.2+dfsg1-1

Rev:
Id: 4/13



Route pins not through RFU

Sheet: /eMMC/
File: eMMC.sch

Title:

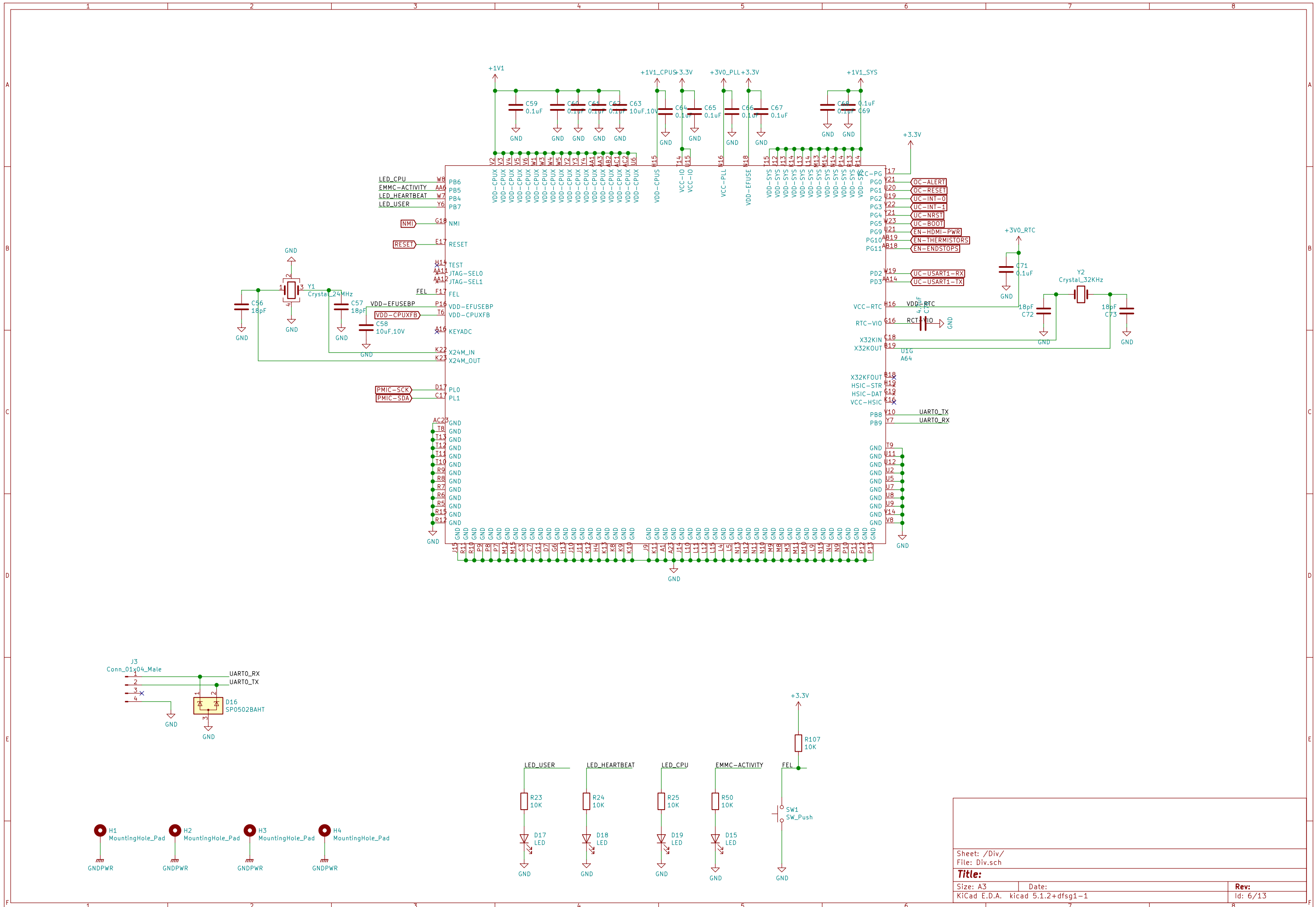
Size: A4

Date:

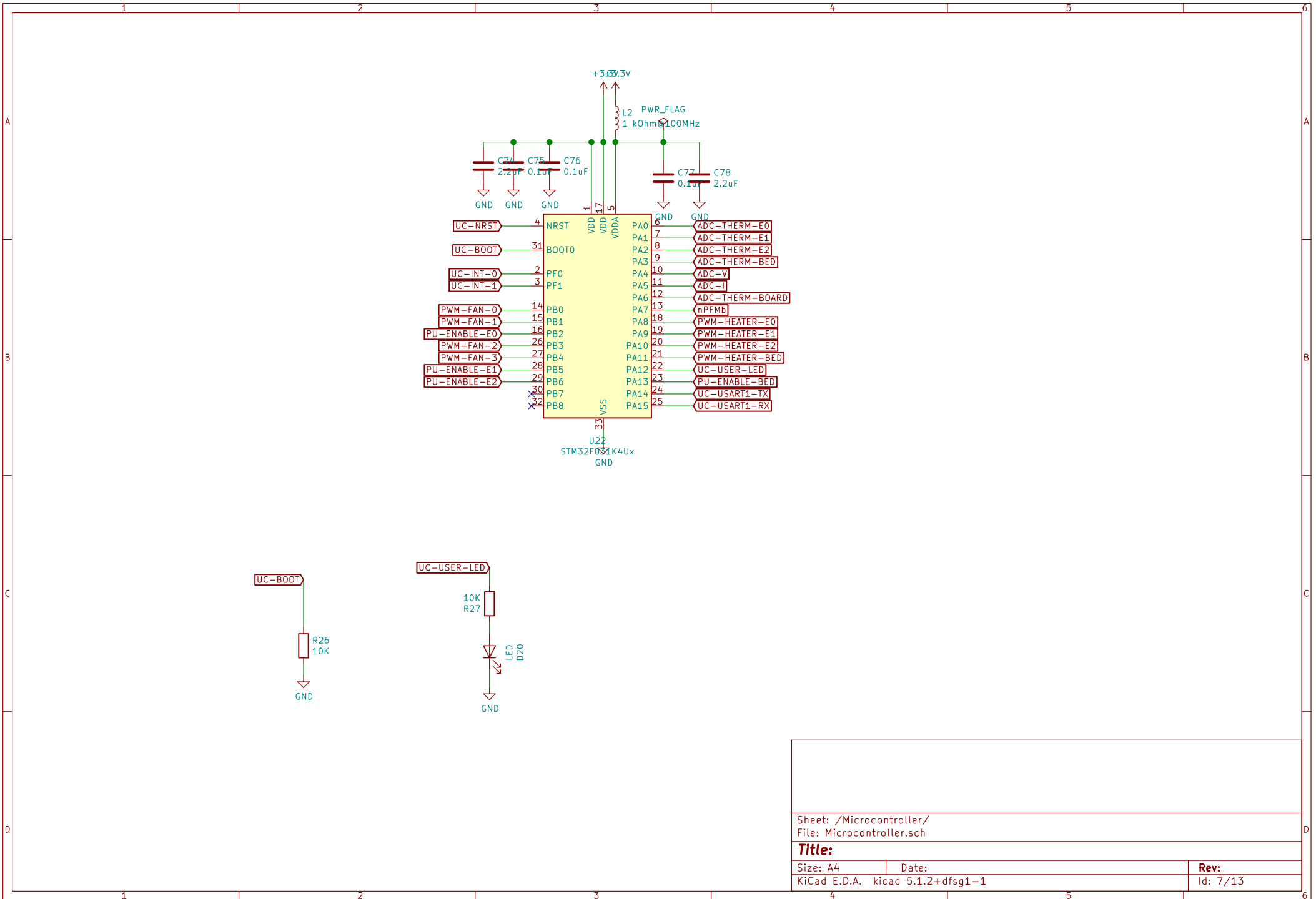
KiCad E.D.A. kicad 5.1.2+dfsg1-1

Rev:

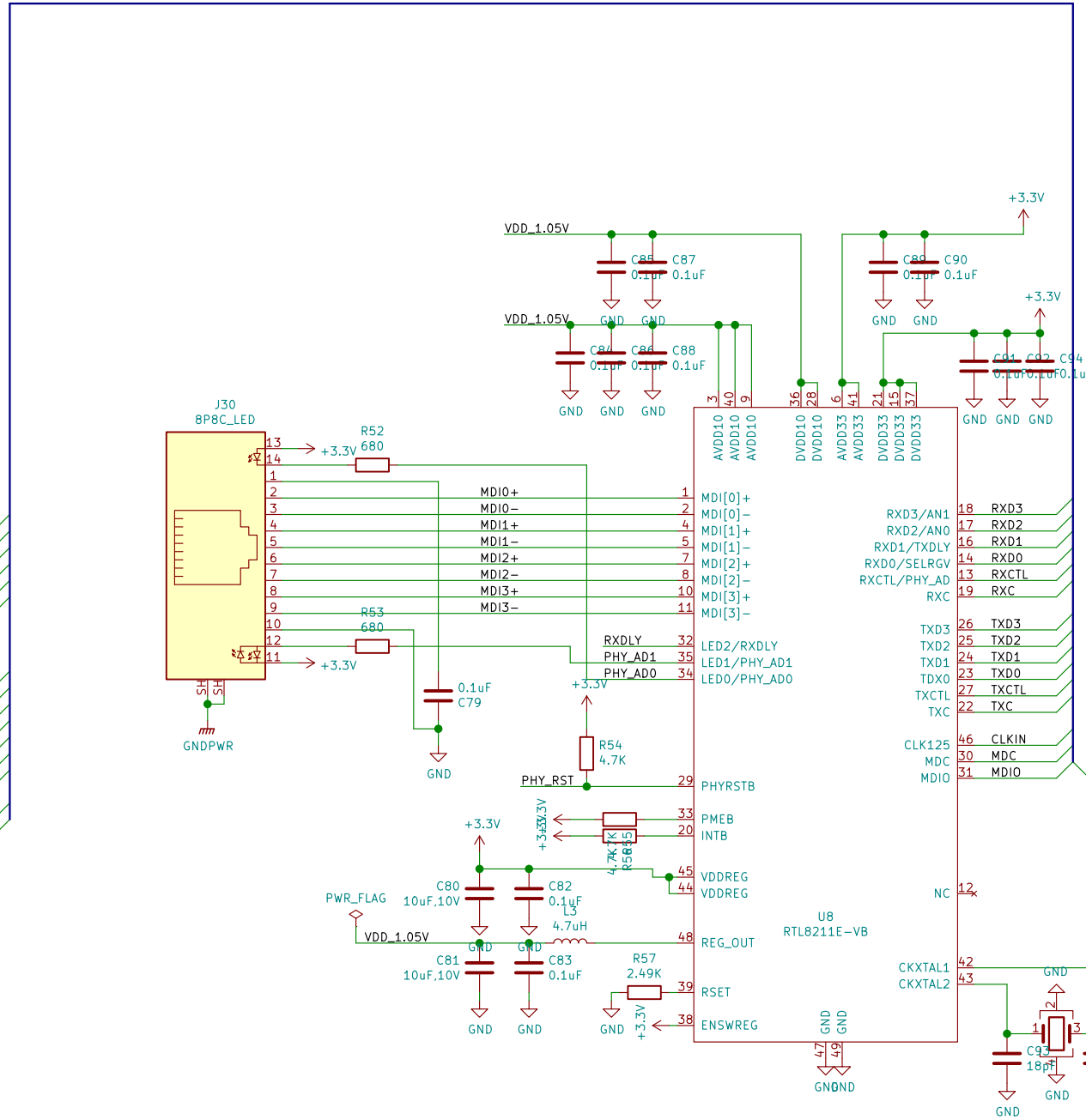
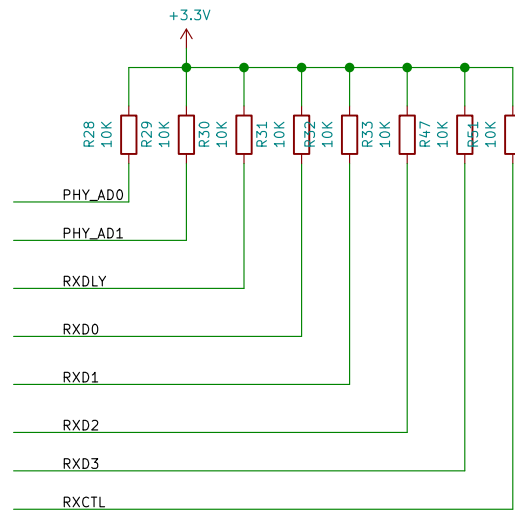
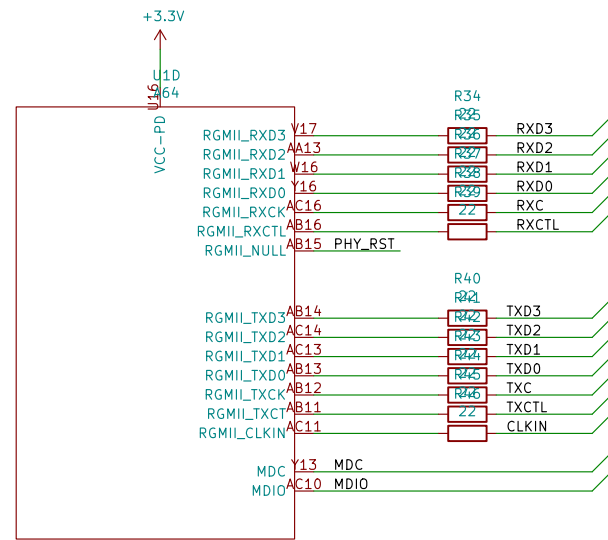
Id: 5/13

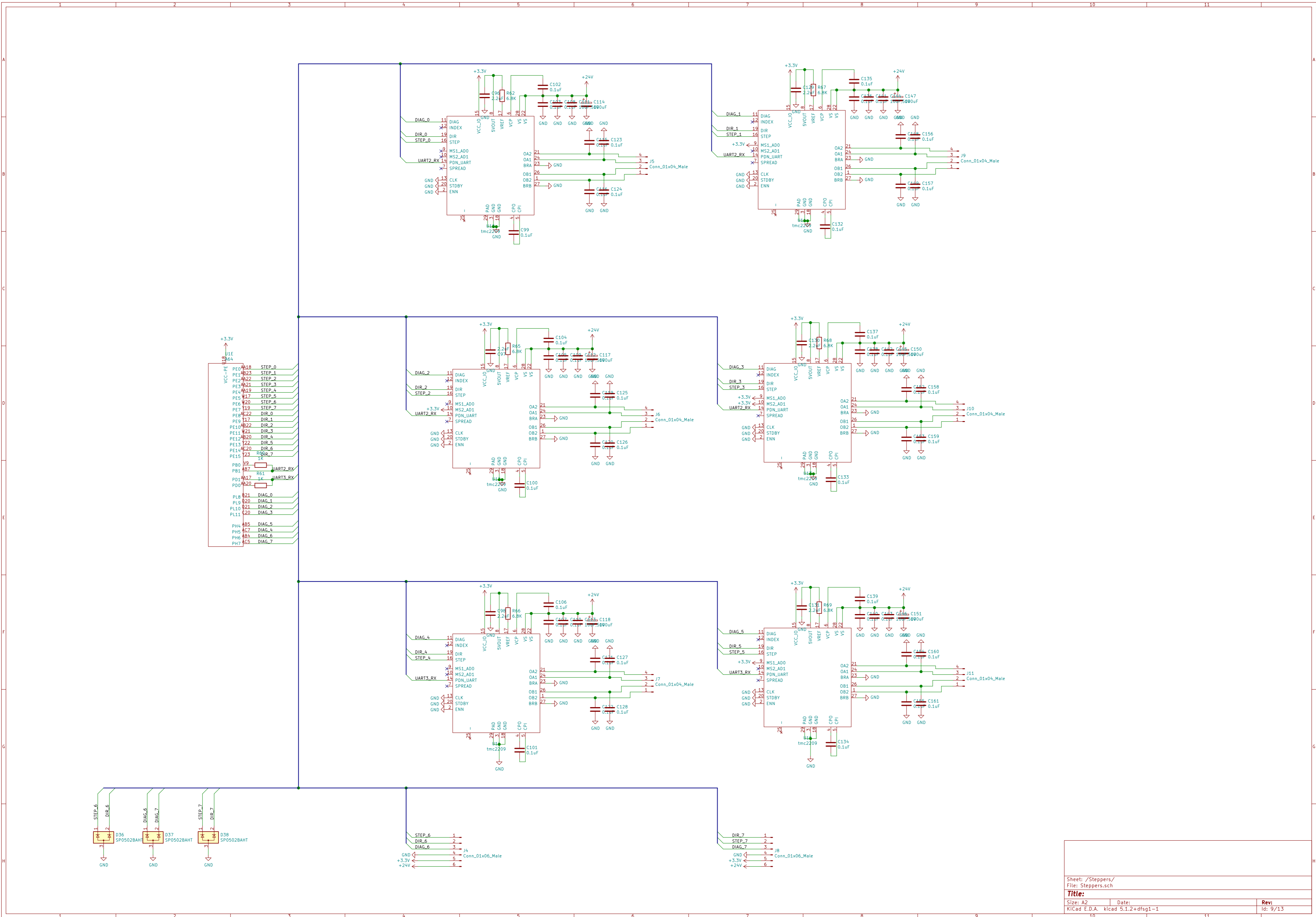


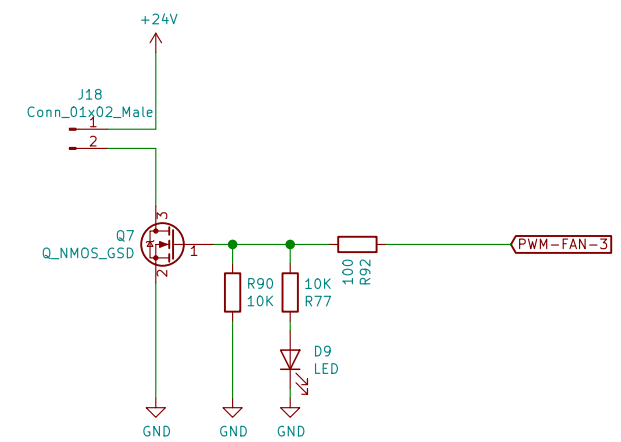
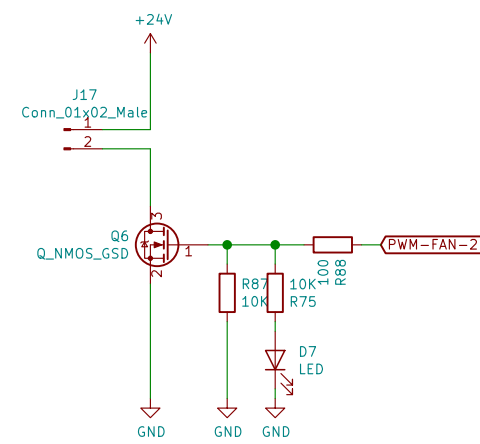
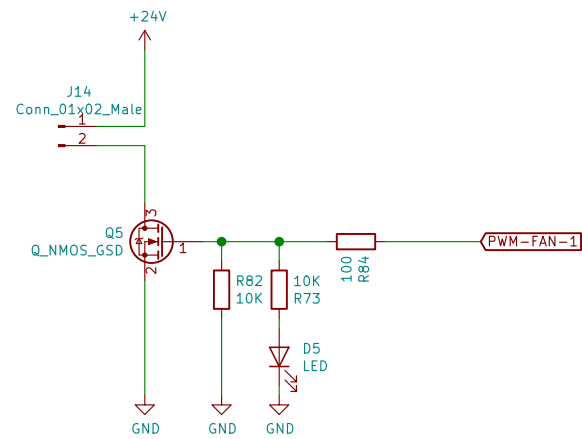
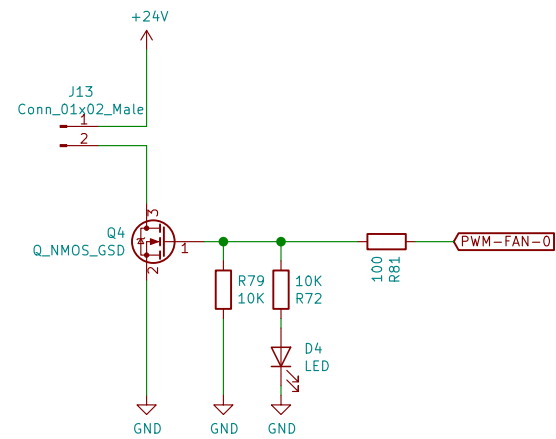
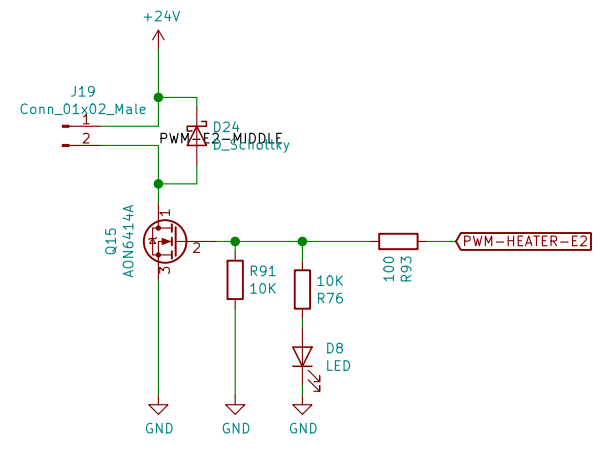
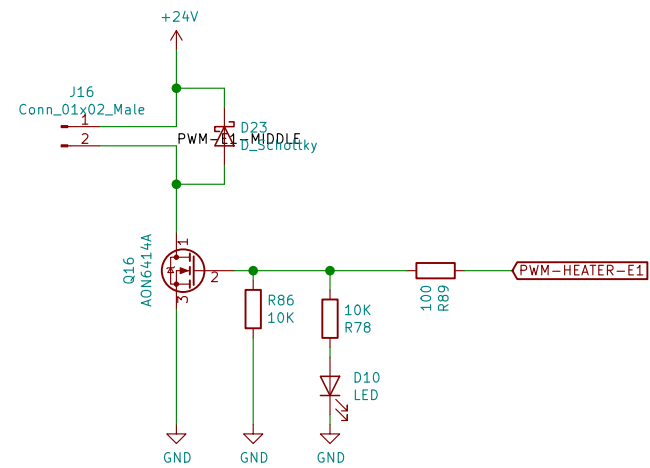
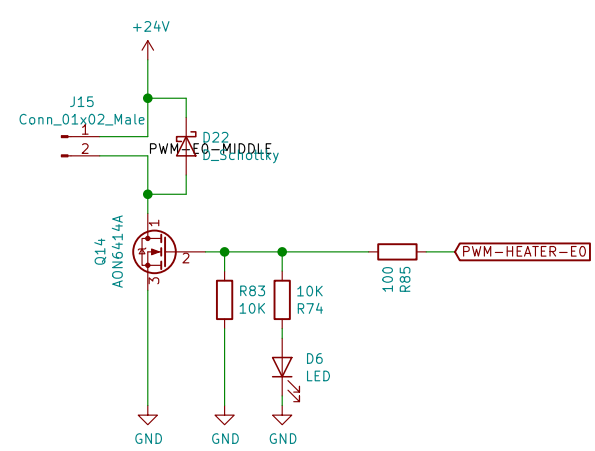
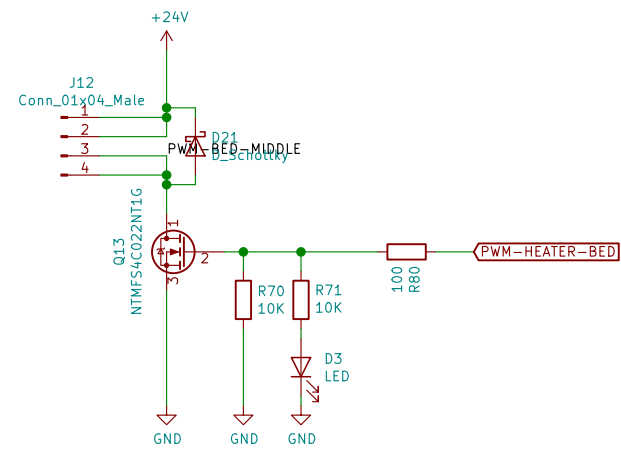
| | | |
|----------------------------------|-------|----------|
| Sheet: /Div/ File: Div.sch | | |
| Title: | | |
| Size: A3 | Date: | Rev: |
| KiCad E.D.A. kicad 5.1.2+dfsg1-1 | | Id: 6/13 |



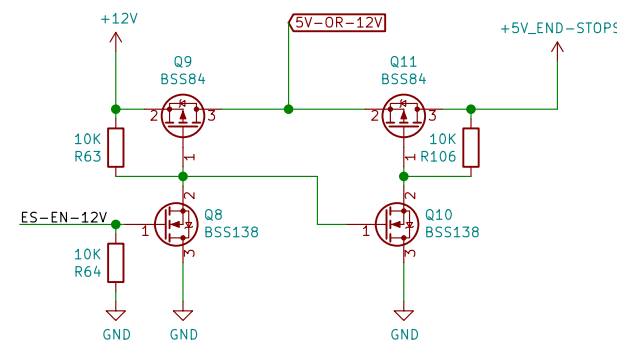
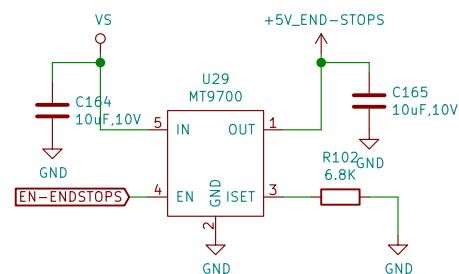
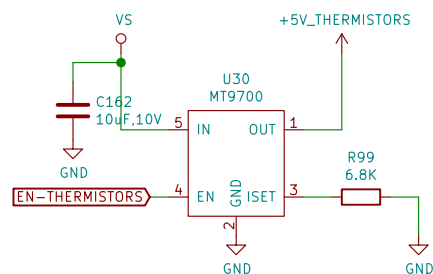
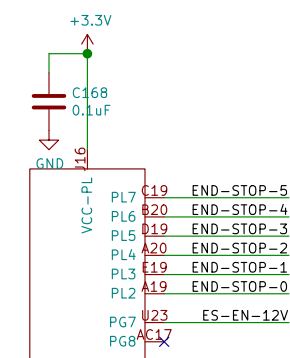
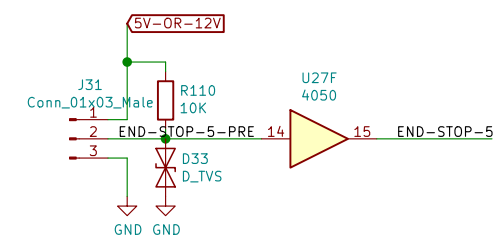
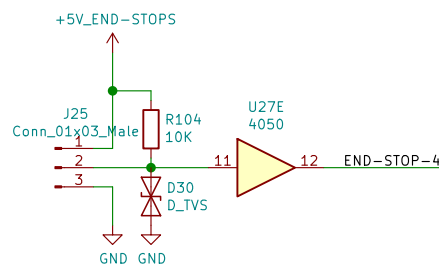
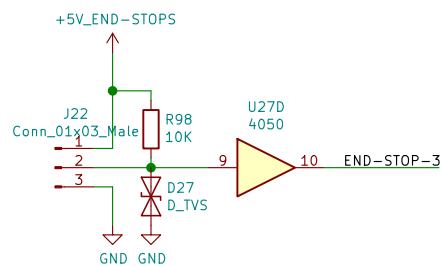
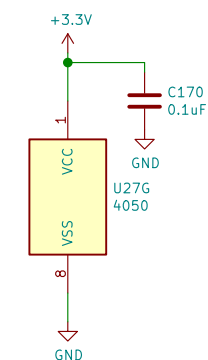
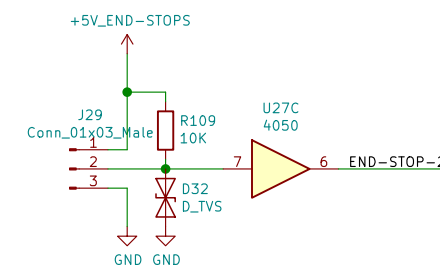
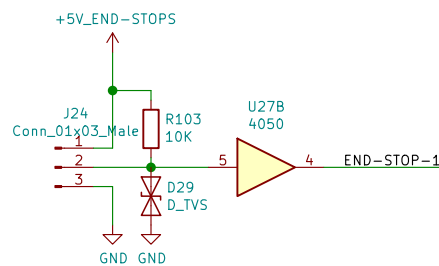
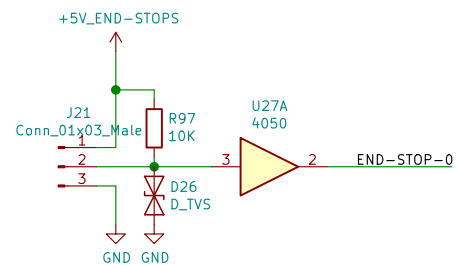
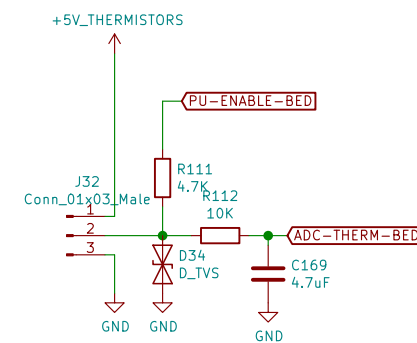
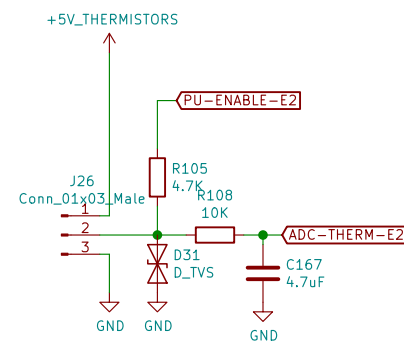
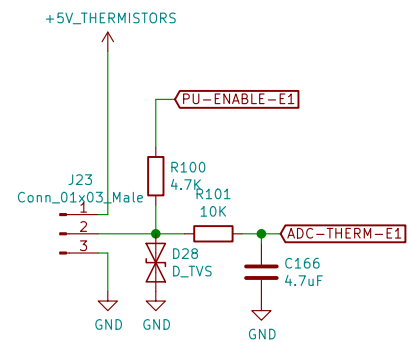
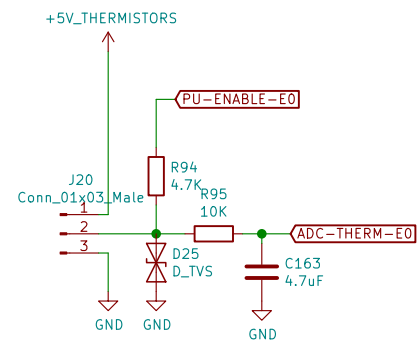
| | | | |
|----------------------------------|-------|---------------------------|--|
| Sheet: /Microcontroller/ | | File: Microcontroller.sch | |
| Title: | | | |
| Size: A4 | Date: | Rev: | |
| KiCad E.D.A. kicad 5.1.2+dfsg1-1 | | Id: 7/13 | |



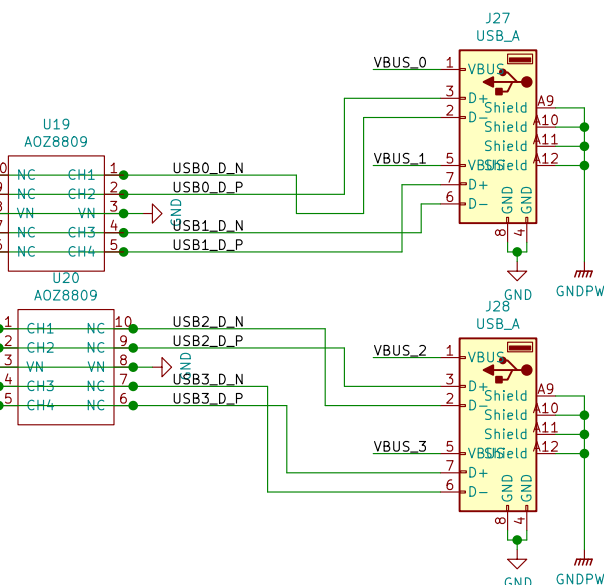
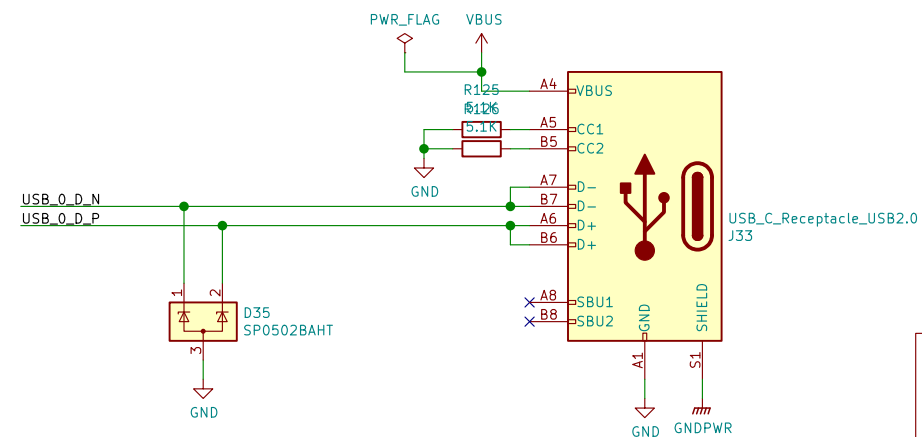
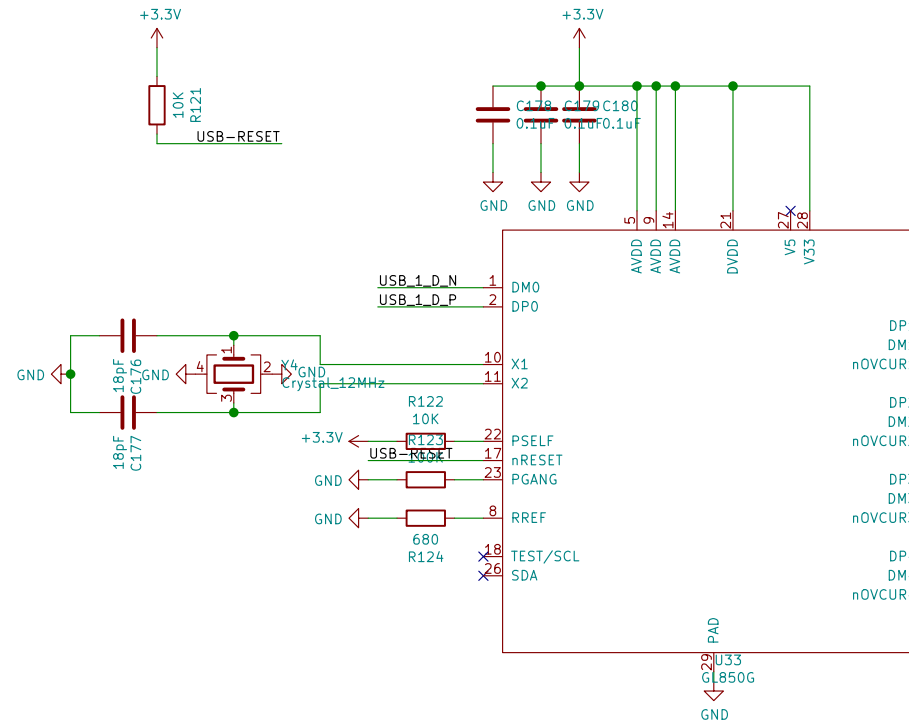
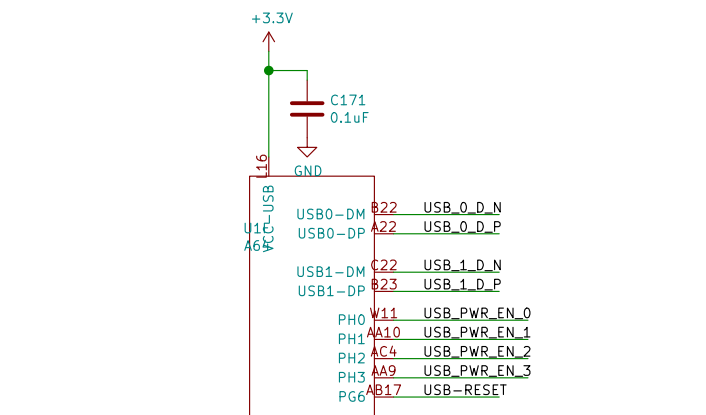
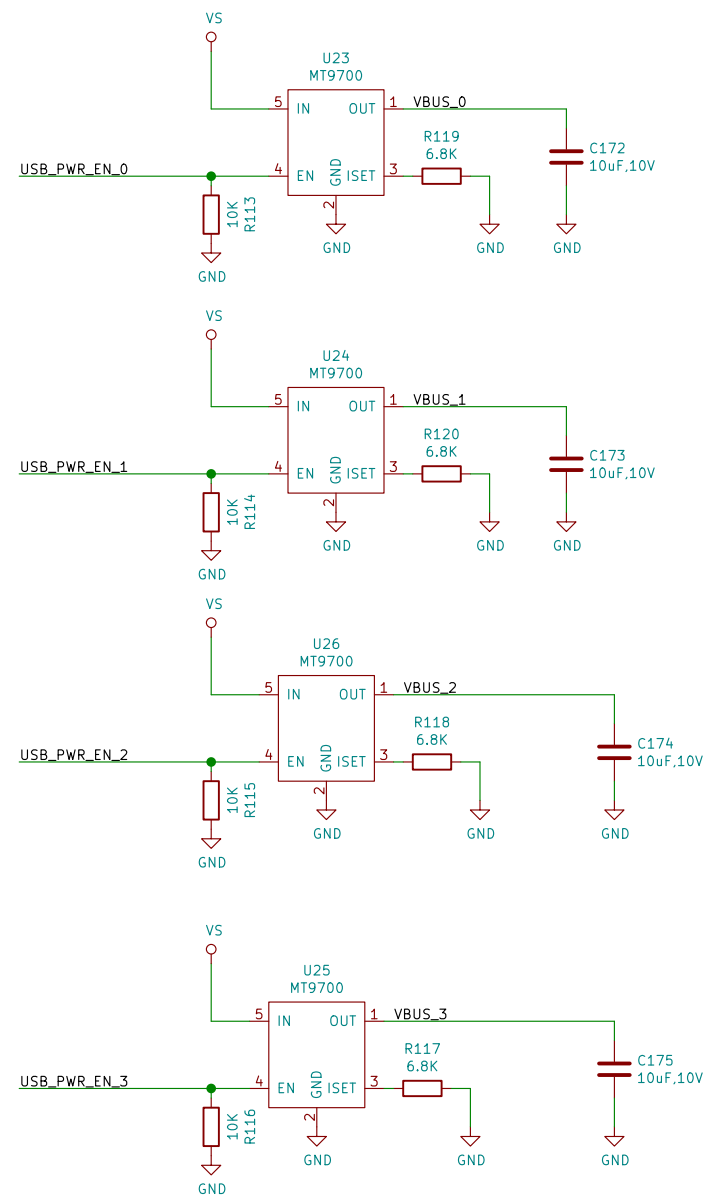




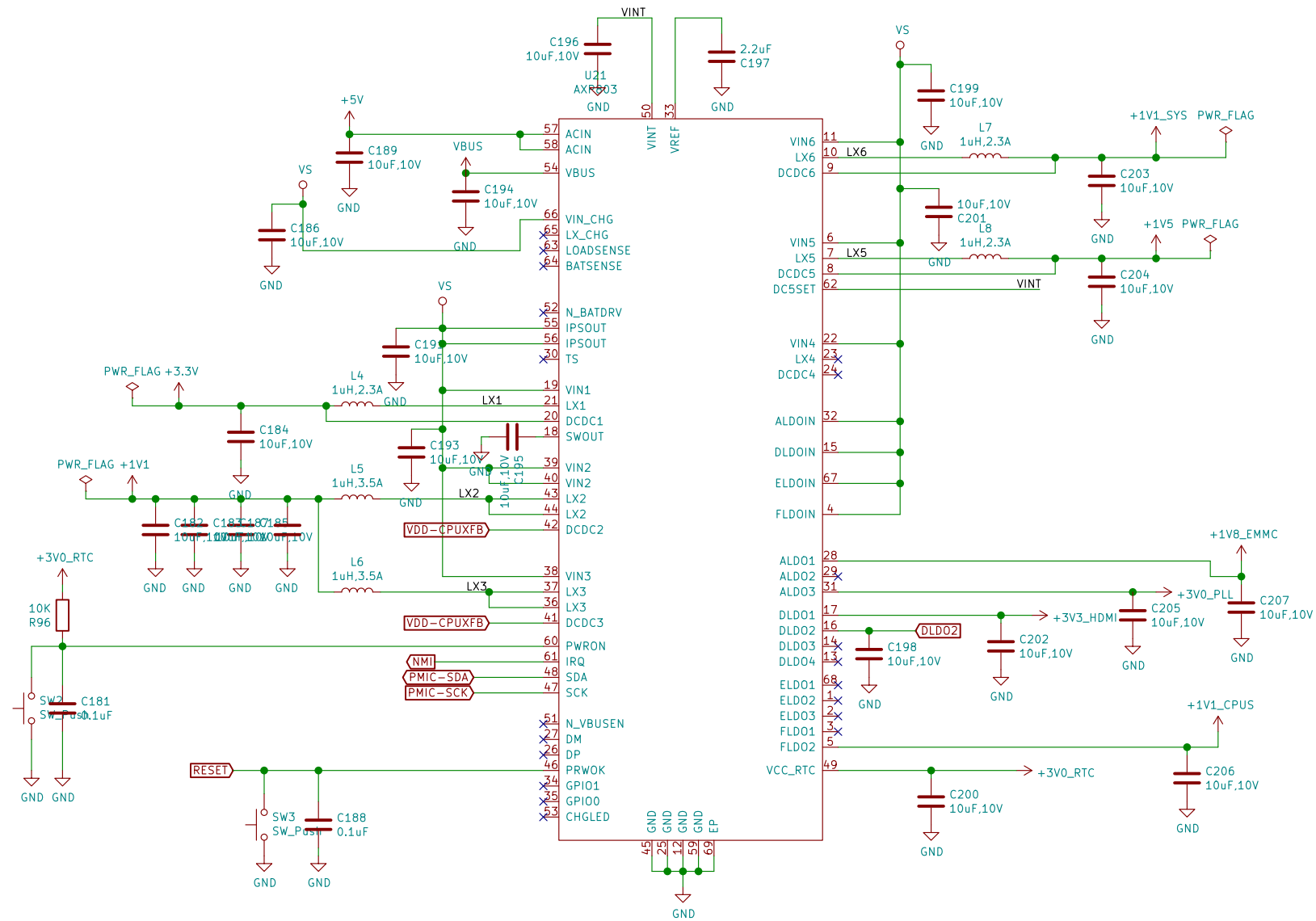
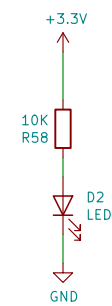
| | | |
|----------------------------------|-------|-----------|
| Sheet: /Mosfets/ | | |
| File: Mosfets.sch | | |
| Title: | | |
| Size: A3 | Date: | Rev: |
| KiCad E.D.A. kicad 5.1.2+dfsg1-1 | | Id: 10/13 |



| | | |
|---------|-----|------------|
| VCC-PL7 | C19 | END-STOP-5 |
| PL6 | B20 | END-STOP-4 |
| PL5 | D19 | END-STOP-3 |
| PL4 | A20 | END-STOP-2 |
| PL3 | F19 | END-STOP-1 |
| PL2 | A19 | END-STOP-0 |
| PG7 | U23 | ES-EN-12V |
| PG8 | A17 | |



| | | |
|----------------------------------|-------|-----------|
| Sheet: /USB/ | | |
| File: USB.sch | | |
| Title: | | |
| Size: A3 | Date: | Rev: |
| KiCad E.D.A. kicad 5.1.2+dfsg1-1 | | Id: 12/13 |



| | | |
|----------------------------------|-------|-----------|
| Sheet: /PMIC/ | | |
| File: PMIC.sch | | |
| Title: | | |
| Size: A3 | Date: | Rev: |
| KiCad E.D.A. kicad 5.1.2+dfsg1-1 | | Id: 13/13 |